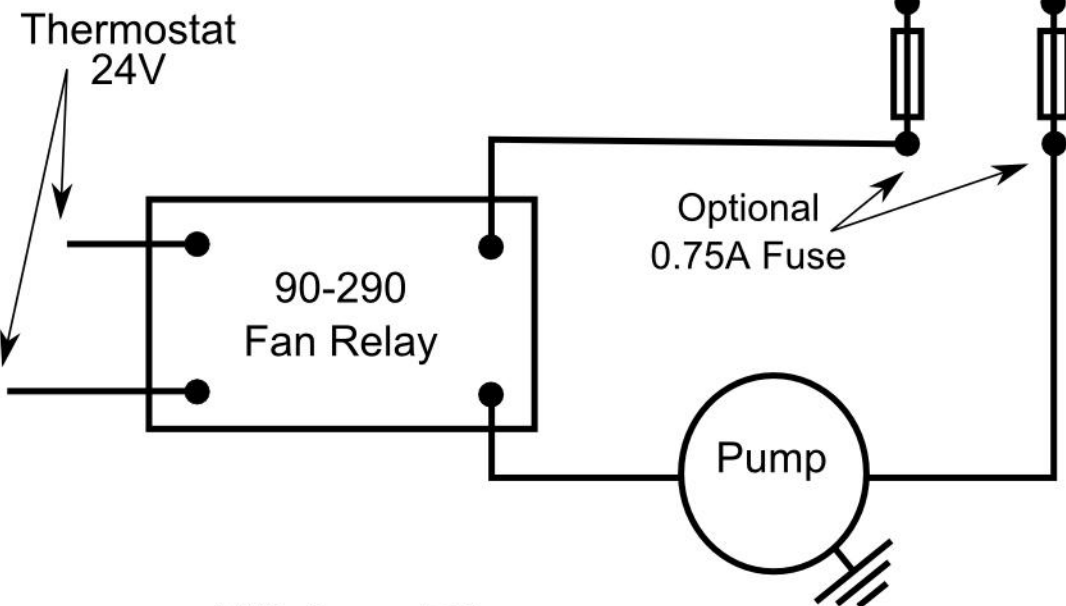


# Wiring Diagram

to connect to air handler  
without strip heat installed  
(Straight Cool and Heat Pump)

230 VAC A/H  
(unswitched)



# Wiring Diagram

to connect to air handler  
strip heat controller  
(Heat Pump only)

